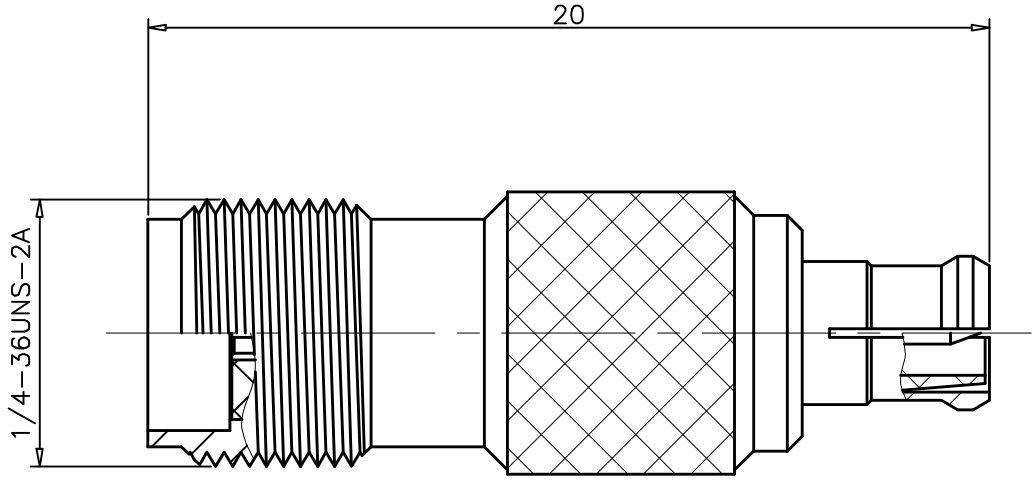


1	2	3	4
RevNo	Revision note	Date	Signature
00	Sketch Only	7/1/14	Teresa
			Checked Simon



Material & Finishing:

1. Center conductor: Beryllium, Gold Plating
2. Insulators: PTFE
3. Body : Beryllium, Gold Plating

RoHS Compliant.

ALL DIMENSIONS ARE IN MILLIMETERS AND [INCHES]

KERUI ELECTRONIC CO;LTD

Title  
SMA female to MCX male

THESE DRAWING & SPEC. ARE THE PROPERTY OF KERUI ELECTRONIC CO;LTD AND SHALL NOT BE REPRODUCED, OR COPIED OR USED AS THE BASIS FOR THE MANUFACTURE OR SALE OF APPARATUS OR DEVICES WITHOUT THEIR EXPRESS WRITTEN CONSENT.

UNLESS OTHERWISE NOTED ALL SURFACES FINISHED TO 64/MAX.  
ALL TOLERANCES ARE:  
DECIMALS    FRACTIONS    ANGLES  
x ± 1.0    ±1/64    x' ± 1'  
x.x ± 0.5          x'x' ± 0.5  
x.xx ± 0.1            

Drawn by Teresa	Ckd by Simon	Appd by Richard	Date 7/1/2014
Scale 6:1	Sheet 1 of 1	A1006 11 2111 01	